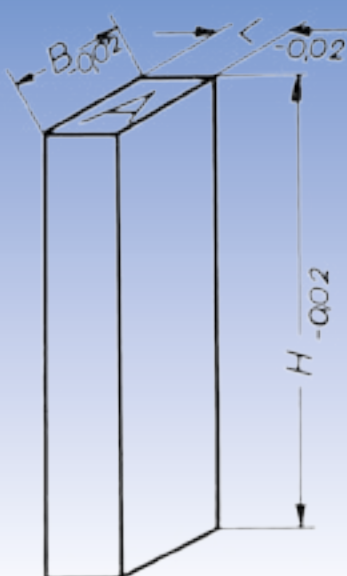
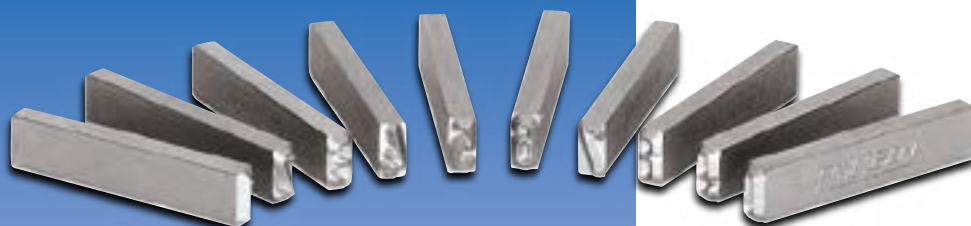


## STEEL TYPES

### Group 1400

The steel types displayed on this page fit into all 1300 product line type holders with **locking screws** to hold them. Please ensure that you order the correct size.



Capital letters, numbers and punctuation symbols are available from stock.

Steel types are manufactured in accordance with DIN 1451. Furthermore, steel types are produced using the material 90MnCrV8 (1.2842), hardened to approx. 58 - 60 HRC and nickel plated to protect from corrosion.

We can also provide you with so-called block types which are combinations of letters or numbers that are frequently repeated. This makes it easier to change the steel types. Of course, logos or other special characters are also available.



storage case

| group     | character size in mm | body in mm |   |    |
|-----------|----------------------|------------|---|----|
|           |                      | L          | B | H  |
| 1410 .... | 1,5                  | 1,5        | 4 | 19 |
|           | 2                    | 1,5        | 4 | 19 |
|           | 2,5                  | 1,5        | 4 | 19 |
| 1411 .... | 1,5                  | 2          | 4 | 19 |
|           | 2                    | 2          | 4 | 19 |
|           | 2,5                  | 2          | 4 | 19 |
|           | 3                    | 2          | 4 | 19 |
| 1412 .... | 1                    | 2          | 4 | 20 |
|           | 1,5                  | 2          | 4 | 20 |
|           | 2                    | 2          | 4 | 20 |
|           | 2,5                  | 2          | 4 | 20 |
|           | 3                    | 2          | 4 | 20 |
| 1414 .... | 3                    | 3          | 6 | 19 |
| 1418 .... | 4                    | 4          | 8 | 19 |
|           | 5                    | 4          | 8 | 19 |
| 1417 .... | 5                    | 5          | 8 | 19 |

Subject to change. 05-14

### STEEL TYPES

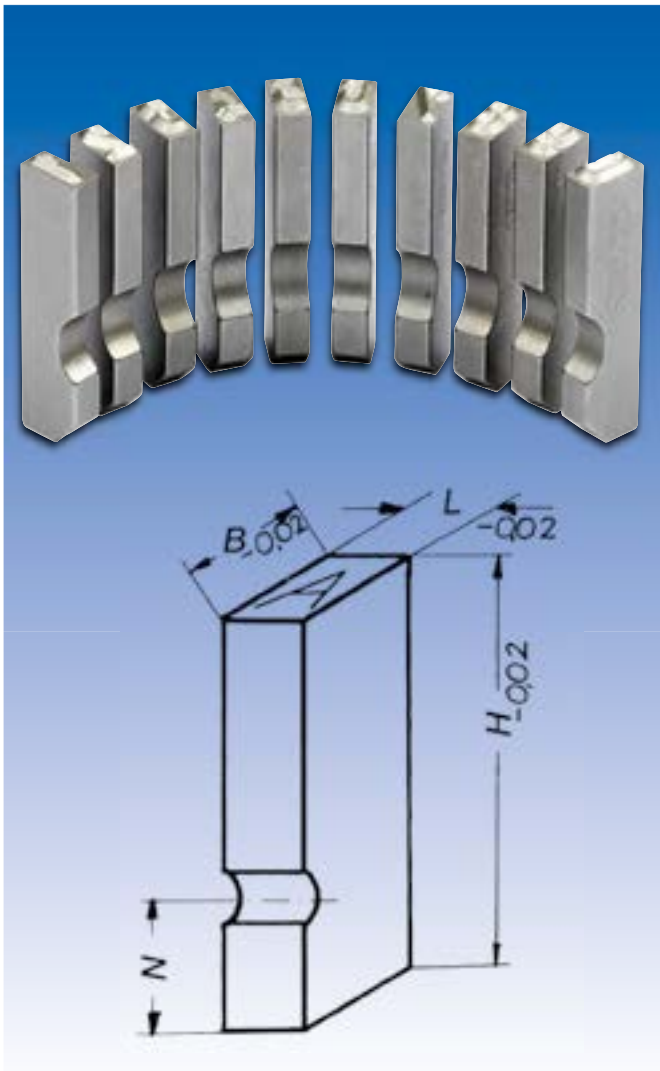
#### Group 1400

The steel types displayed on this page fit into all group 1300 type holders with a **locking pin**. Please ensure that you order the correct size.

Capital letters, numbers and punctuation symbols are available from stock.

Steel types are manufactured in accordance with DIN 1451. Furthermore, steel types are produced using the material 90MnCrV8 (1.2842), hardened to approx. 58 - 60 HRC and nickel plated to protect from corrosion.

We can also provide you with so-called block types which are combinations of letters or numbers that are frequently repeated. This makes it easier to change the steel types. Of course, logos or other special characters are also available.



storage case

| group     | character size in mm | body in mm |    |    |    |
|-----------|----------------------|------------|----|----|----|
|           |                      | L          | B  | H  | N  |
| 1415 .... | 2                    | 3          | 6  | 24 | 10 |
|           | 2,5                  | 3          | 6  | 24 | 10 |
|           | 3                    | 3          | 6  | 24 | 10 |
|           | 4                    | 3          | 6  | 24 | 10 |
|           | 5                    | 3          | 6  | 24 | 10 |
| 1416 .... | 4                    | 4          | 8  | 24 | 10 |
|           | 5                    | 4          | 8  | 24 | 10 |
|           | 6                    | 4          | 8  | 24 | 10 |
| 1451 .... | 3                    | 3          | 8  | 32 | 12 |
|           | 4                    | 3          | 8  | 32 | 12 |
| 1455 .... | 3                    | 4          | 8  | 32 | 12 |
|           | 4                    | 4          | 8  | 32 | 12 |
|           | 5                    | 4          | 8  | 32 | 12 |
| 1460 .... | 4                    | 5          | 10 | 32 | 12 |
|           | 5                    | 5          | 10 | 32 | 12 |
|           | 6                    | 5          | 10 | 32 | 12 |
|           | 8                    | 5          | 10 | 32 | 12 |
| 1465 .... | 10                   | 6          | 12 | 32 | 12 |
| 1470 .... | 12                   | 8          | 15 | 32 | 12 |

Subject to change. 05-14