



## MANUALLY ADJUSTABLE NUMBERING HEAD

### Group 1601

Manually adjustable numbering heads are used when multiple characters are to be stamped next to each other. Components or type plates can be neatly clamped in a press.

As standard, stamping wheels are engraved with the numbers from 0 - 9, a slash and a space. They are engraved in accordance with DIN 1451. The standard font sizes are 2 mm, 2.5 mm, 3 mm, 4 mm, 5 mm, 6 mm, 8 mm and 10 mm. The press shank is 40 mm long and has a diameter of 20 mm.

Of course, the numbering head will be customised to meet your needs. Whether you require letters, logos or block engravings (e.g. DIN on one wheel), we are able to produce customised stamping wheels for you in your desired font size.

In order to avoid errors, the number that has been set on the wheel is visible between the two arrows at the top.

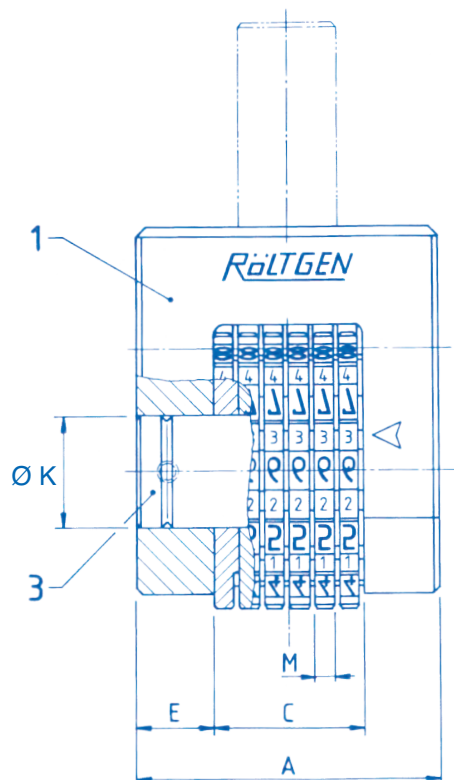
You can find the dimensions of the standard numbering heads on the next page.



Subject to change. 05-14

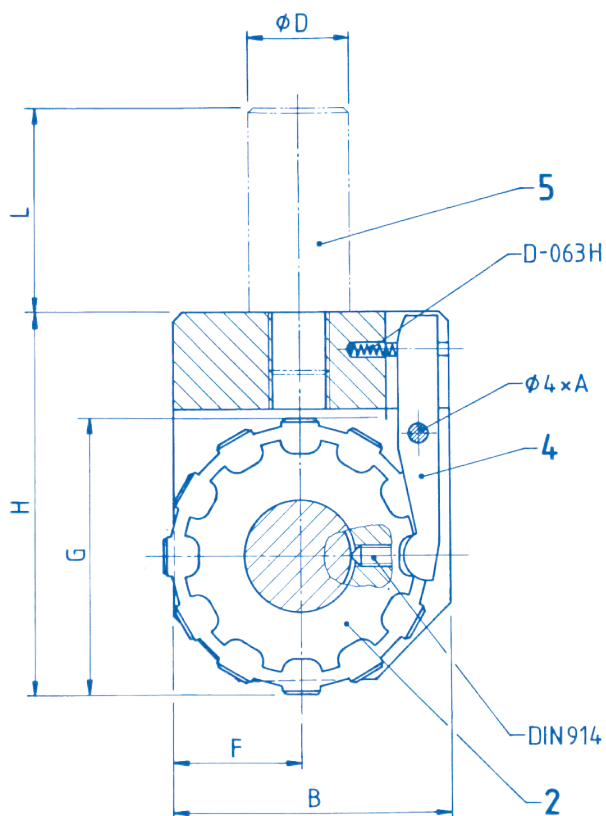
## MANUALLY ADJUSTABLE NUMBERING HEAD

Group 1601



### List of replacement parts

No.	list of parts
1	wheel box
2	stamping wheel
3	axle
4	rear grabber
5	shank



numbers of wheels	character size	all dimensions in mm											
		A	B	C	D	E	F	G	H	K	M	L	
n	h												
4	2 / 2,5 / 3	35	35	14	20	10,5	15	33	63	14	3,5	40	
6		45	35	21	20	12	15	33	63	14	3,5	40	
8		50	35	28	20	11	15	33	63	14	3,5	40	
4	4 / 5 / 6	40	55	20	20	10	25	54	75	22	4	40	
6		60	55	30	20	15	25	54	75	22	4	40	
8		70	55	40	20	15	25	54	75	22	4	40	
4	8 / 10	60	60	32	20	14	27	58	88	22	7	40	
6		80	60	48	20	16	27	58	88	22	7	40	
8		100	60	64	20	18	27	58	88	22	7	40	

Subject to change. 05-14