



MANUALLY ADJUSTABLE NUMBERING HEAD

Group 1600 ...

Manually adjustable numbering head

For batch stamping.

Customisable number of digits.

Font size: 2-10 mm, engraving: DIN 1451.

0-9 and space or 10 letters of choice per wheel.

With replaceable striking cap for hand stamping using a hammer.

Advantage: Allows clean and even stamping compared to individual stamps, and also saves considerable time.



product Video



Group 1600 0050

Guiding frame for axial stamping

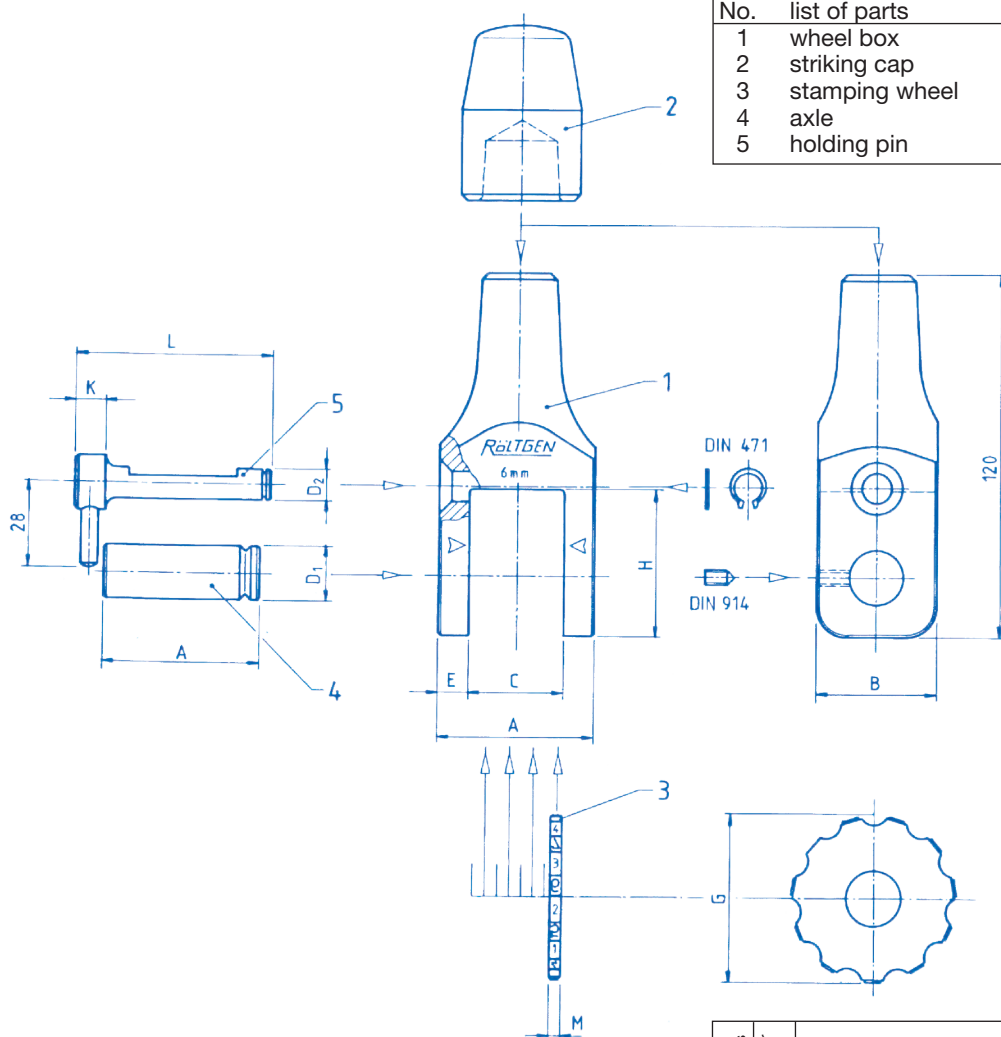
This guide supports you when lining up the stamping device on round materials. On level surfaces, the frame can be manually pushed up.

Subject to change. 05-14

MANUALLY ADJUSTABLE NUMBERING HEAD

List of replacement parts

No.	list of parts
1	wheel box
2	striking cap
3	stamping wheel
4	axle
5	holding pin



n	h	numbers of wheels character size										
		A	B	C	E	H	Ø D1	Ø D2	L	K	M	G
4	2 / 2,5 / 3	38	30	10	14	32,5	12	7,0	48,0	8,0	2,5	34,7
6		38	30	15	11,5	32,5	12	7,0	48,0	8,0	2,5	34,7
8		38	30	20	9	32,5	12	7,0	48,0	8,0	2,5	34,7
10		50	30	25	12,5	32,5	12	7,0	60,0	8,0	2,5	34,7
12		56	30	30	13	32,5	12	7,0	66,0	8,0	2,5	34,7
4	4 / 5 / 6	44	40	16	10	49,5	18	10,0	54,5	8,0	4	53,6
6		52	40	24	10	49,5	18	10,0	60,5	8,0	4	53,6
8		60	40	32	10	49,5	18	10,0	69,0	8,0	4	53,6
10	4	70	40	40	10	49,5	18	8,0	80,0	8,0	4	53,6
12		78	40	48	10	49,5	18	8,0	88,0	8,0	4	53,6
4	8 / 10	58	40	28	15	51,5	18	8,0	68,0	8,0	7	58
6		72	40	42	15	51,5	18	8,0	81,0	8,0	7	58
8		86	40	56	15	51,5	18	8,0	95,0	8,0	7	58

Subject to change. 05-14